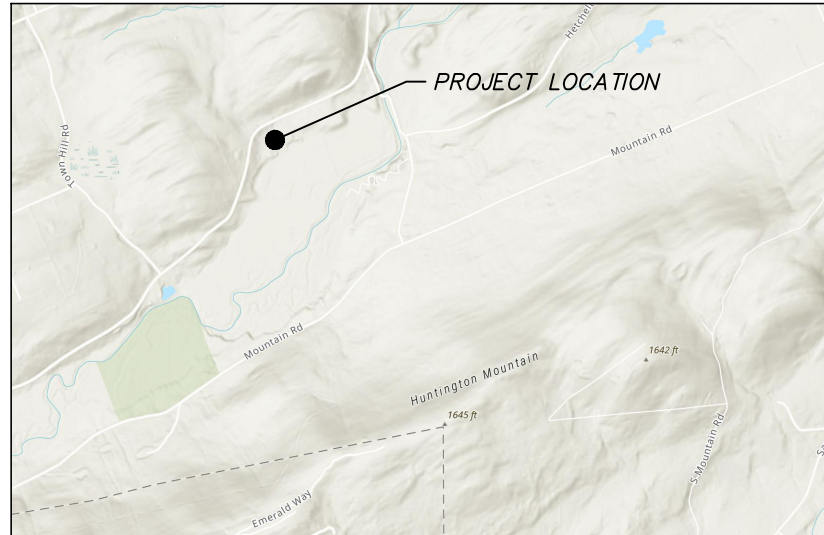


GRAZING SYSTEM  
 NATURAL RESOURCES CONSERVATION SERVICE  
 U.S DEPARTMENT OF AGRICULTURE

STEVENS FARM  
 LUZERNE COUNTY, PA

LOCATION MAP:  
 685 WATERTON ROAD, SHICKSHINNY PA 18655



GENERAL NOTES

- ALL FEDERAL, STATE, AND LOCAL LAWS, RULES, AND REGULATIONS GOVERNING THE CONSTRUCTION OF THIS FACILITY SHALL BE STRICTLY FOLLOWED. THE OWNER OR OPERATOR IS RESPONSIBLE FOR OBTAINING ALL CONSTRUCTION PERMITS.  
  
IT IS THE RESPONSIBILITY OF THE EXCAVATING CONTRACTOR TO COMPLY WITH PA ACT 187 (1996) AND ALL ITS REVISIONS BEFORE PERFORMING ANY EXCAVATION. THE PA ONE-CALL PHONE NUMBER IS 1(800)-242-1776. THE SERIAL NUMBER FOR DESIGN IS \_\_\_\_\_ DATED \_\_\_\_\_
- A MEETING BETWEEN THE LANDOWNER, CONTRACTOR, LUZERNE CONSERVATION DISTRICT REPRESENTATIVE, AND ENGINEER SHALL BE REQUIRED PRIOR TO ANY EXCAVATION OR CONSTRUCTION WORK.
- A COPY OF THE SPECIFICATIONS AND DRAWINGS SHALL BE ONSITE DURING ALL PHASES OF CONSTRUCTION.
- OSHA REGULATIONS SHALL BE FOLLOWED AT ALL TIMES.
- THE CONTRACTOR IS RESPONSIBLE FOR IMPLEMENTING ALL MEASURES NECESSARY TO PROTECT WORK IN PROGRESS FROM ENVIRONMENTAL CONDITIONS SUCH AS TEMPERATURE EXTREMES, SURFACE, AND GROUND WATER
- THE CONTRACTOR IS RESPONSIBLE FOR VERIFYING ACTUAL FIELD MEASUREMENTS SHOWN ON THE PLANS.
- IN THE EVENT ROCK, UNSTABLE SOILS, OR SEEPS ARE ENCOUNTERED DURING EXCAVATION, WORK SHALL BE STOPPED AND THE ENGINEER SHALL DETERMINE HOW TO PROCEED.
- THE CONTRACTOR IS RESPONSIBLE FOR THE SECURITY OF THE JOB SITE UNTIL THE WORK HAS BEEN CERTIFIED BY THE ENGINEER.
- THE OWNER IS RESPONSIBLE FOR ENSURING THAT ALL LIVESTOCK ARE REMOVED FROM THE WORK SITE AND THAT LIVESTOCK WILL REMAIN EXCLUDED FROM THE WORK SITE UNTIL THE PROJECT HAS BEEN THROUGH A FINAL CERTIFICATION AND APPROVED FOR USE. TEMPORARY LIVESTOCK CONFINEMENT/EXCLUSION FENCE MAY BE NEEDED TO ENSURE LIVESTOCK ARE NOT ABLE TO ENTER THE WORK SITE.



Larson Design Group  
 3000 WESTINGHOUSE DRIVE  
 SUITE 400  
 CRANBERRY TWP, PA 16066  
 (877) 323-6603

CONSTRUCTION NOTES

- CLEAR AND GRUB THE ENTIRE AREA WITHIN THE WORK LIMITS
- ALL FILL MATERIAL MUST NOT CONTAIN FROZEN MATERIAL, SOD, ROOTS, OR OTHER PERISHABLE MATERIAL, OR ROCK LARGER THAN 8" IN DIAMETER.
- 6" OF TOPOSOIL WILL BE INCORPORATED INTO THE EARTHFILL TO MEET THE NEAT LINES SHOWN ON THE TYPICAL SECTION.
- ALL AREAS DISTURBED DURING CONSTRUCTION WILL BE SEEDED ACCORDING TO NRCS CRITICAL AREA PLANTING SPECIFICATION.

LDG TAKES SAFETY VERY SERIOUSLY, HOWEVER, THE SAFETY COMMITMENT AND THE JOB SITE PRACTICES OF THE CONTRACTOR ARE BEYOND THE CONTROL OF LDG. IT IS STRONGLY RECOMMENDED THAT SAFE WORKING CONDITIONS AND ACCIDENT PREVENTION PRACTICES BE THE TOP PRIORITY OF ANY JOB SITE. LOCAL, STATE, AND FEDERAL SAFETY AND HEALTH STANDARDS SHOULD ALWAYS BE FOLLOWED TO HELP ENSURE WORKER SAFETY. MAKE CERTAIN ALL EMPLOYEES KNOW THE SAFEST AND MOST PRODUCTIVE WAY OF CONSTRUCTING THE DESIGNED PRACTICES. EMERGENCY PROCEDURES ARE ALSO RECOMMENDED. IT IS THE CONTRACTORS RESPONSIBILITY TO ENSURE A SAFE WORK ENVIRONMENT FOR THEIR EMPLOYEES.

AS-BUILT / DESIGN INFORMATION

QUALITY ASSURANCE STATEMENT				ENGINEER STATEMENT			
<i>To the best of my knowledge, I certify that the practices have been installed as per the attached drawings and specifications, based on the information provided to me and/or observations I have made.</i>				<i>In my professional opinion, I certify that the practices have been installed as per the attached drawings and specifications, based on the information provided to me and/or observations I have made.</i>			
Practice Code	CIN	Description	Planned Amount	Inspector (Initials)	As-Built Amount (by Inspector)	Certification (Engineer/JAA Signature)	Date Certified
382		ELECTRIC FENCE	8,500 L.F				
516		LIVESTOCK PIPELINE	2,150 L.F				
528		PRESCRIBED GRAZING	22 ACRES				
560		ACCESS ROAD	550 S.Y				
575		WALKWAY	1,050 S.Y				
578		STREAM CROSSING	1 QUANTITY				
614		WATERING FACILITY	2 WATERERS 3 HYDRANTS				

DRAWING SHEET INDEX

G-101	COVER SHEET		
G-002	GENERAL NOTES		
V-101	EXISTING CONDITIONS AND DEMOLITION PLAN		
CS101	FENCING SITE PLAN		
CS102	FENCING SITE PLAN		
C-501	SITE DETAILS		
C-502	SITE DETAILS		
C-503	SITE DETAILS		

MARK	DATE	CLIENT REVIEW SET	COMMENTS
0	2024-10-04		

**Eric Stevens**  
 685 WATERTON ROAD  
 SHICKSHINNY, PA 18655

**STEVENS FARM PROJECT**  
 685 WATERTON ROAD  
 SHICKSHINNY, PA 18655

**COVER SHEET**  
**GRAZING SYSTEM PLAN**

Date: 2024-10-04  
 Project No.: 13655-002  
 Sheet No.: **G-001**

**OWNER RESPONSIBILITIES**

- 1. THE OWNER IS RESPONSIBLE FOR ENSURING THAT ALL LIVESTOCK ARE REMOVED FROM THE WORK SITE AND THAT LIVESTOCK WILL REMAIN EXCLUDED FROM THE WORK SITE UNTIL THE PROJECT HAS RECEIVED FINAL CERTIFICATION AND IS APPROVED FOR USE.
- 2. THE OWNER IS TO PROVIDE REASONABLE ACCESS TO THE WORK SITE.

**EXCAVATION NOTES**

- 1. NO EXCAVATION SHALL BEGIN UNTIL THE EXCAVATOR HAS COMPLIED WITH ALL PA ONE-CALL REQUIREMENTS AND ANY UTILITY COMPANY RESPONSES.
- 2. ALL EROSION AND SEDIMENT PRACTICES SHALL BE INSTALLED PRIOR TO BEGINNING EXCAVATION.
- 3. OSHA STANDARDS SHALL BE FOLLOWED FOR ALL EXCAVATION.
- 4. TOPSOIL SHALL BE STRIPPED AND STOCKPILED TO BE RE-DISTRIBUTED WHEN THE PROJECT IS COMPLETE.
- 5. ALL MANURE-LADEN SOIL SHALL BE REMOVED AND SPREAD ACCORDING TO THE LANDOWNER'S NUTRIENT MANAGEMENT PLAN.
- 6. THE SITE SHALL BE EXCAVATED UNTIL GOOD, STABLE SOIL IS ENCOUNTERED,.
- 7. EXCESS MATERIAL SHALL BE DISPOSED OF AS DIRECTED BY THE LANDOWNER AND THE INSPECTOR.
- 8. A UNIFORM LAYER OF 2B-STONE (AASHTO #57), 3" THICK SHALL BE PLACED ABOVE SUBGRADE TO BED ALL CONCRETE. STONE DEPTH TO BE MEASURE AFTER COMPACTION. STONE SHALL NOT BE PLACED UNTIL EARTHEN SUBGRADE ELEVATION AND COMPACTION IS APPROVED BY THE INSPECTOR.
- 9. ALLOW 1' OVERLAP BETWEEN ADJACENT PANELS OF GEOTEXTILE WHERE APPLICABLE.
- 10. THE CONTRACTOR IS RESPONSIBLE FOR PROTECTING THE CONSTRUCTION SITE UNTIL THE WORK HAS BEEN COMPLETED AND CERTIFIED BY THE DESIGN ENGINEER. THIS INCLUDES DEWATERING THE SITE AS NECESSARY, AS WELL AS PREVENTING UPSLOPE RUNOFF FROM ENTERING THE WORK AREA. IT IS STRONGLY RECOMMENDED THAT ALL PLANNED DIVERSIONS OR SWALES BE INSTALLED FIRST AND ALL PERIMETER DRAIN OUTLETS BE INSTALLED BEFORE STONE OR CONCRETE IS PLACED, IF POSSIBLE.

**EROSION AND SEDIMENT CONTROL NOTES**

- 1. INSTALL FILTER SOCK, AS NEEDED, SEE DETAILS ON SHEET C-503
- 2. EROSION AND SEDIMENT POLLUTION CONTROL MEASURES SHALL BE MAINTAINED CONTINUOUSLY, RELOCATED AS NECESSARY, AND SHALL BE CHECKED AFTER EVERY RAINFALL. SEEDED AREAS SHALL BE CHECKED REGULARLY AND SHALL BE WATERED, FERTILIZED, RESEDED, AND MULCHED, AS NECESSARY, TO OBTAIN A DENSE COVER OF GRASS.
- 3. ALL EXCAVATIONS, INCLUDING TRENCHES, SHALL BE KEPT DRY TO PROTECT THEIR INTEGRITY. IF PUMPING OF AN OPEN TRENCH IS NECESSARY DURING THE COURSE OF CONSTRUCTION, A SEDIMENT FILTER BAG OR OTHER FORM OF FILTERING IS REQUIRED BEFORE DISCHARGING INTO THE STORM SYSTEM.
- 4. IMMEDIATELY AFTER EARTH DISTURBANCE ACTIVITIES CEASE IN ANY AREA OR SUBAREA OF THE PROJECT, THE OPERATOR SHALL STABILIZE ALL DISTURBED AREAS. DURING NON-GERMINATING MONTHS, MULCH OR PROTECTIVE BLANKETING SHALL BE APPLIED AS DESCRIBED IN THE PLAN. AREAS NOT AT FINISHED GRADE, WHICH WILL BE REACTIVATED WITHIN ONE (1) YEAR, MAY BE STABILIZED IN ACCORDANCE WITH THE TEMPORARY STABILIZATION SPECIFICATIONS. THOSE AREAS WHICH WILL NOT BE REACTIVATED WITHIN ONE (1) YEAR SHALL BE STABILIZED IN ACCORDANCE WITH THE PERMANENT STABILIZATION SPECIFICATIONS.
- 5. PERMANENT STABILIZATION IS DEFINED AS A MINIMUM UNIFORM, PERENNIAL 70% VEGETATIVE COVER OR OTHER PERMANENT NON-VEGETATIVE COVER WITH A DENSITY SUFFICIENT TO RESIST ACCELERATED EROSION. CUT AND FILL SLOPES SHALL BE CAPABLE OF RESISTING FAILURE DUE TO SLUMPING, SLIDING, OR OTHER MOVEMENTS.

**GEOTEXTILE NOTES**

1. SEE TABLE 1 AND 2, BELOW:

Property	Test Method	Class I	Class II & III	Class IV
Tensile strength (pounds) 1/	ASTMD4632 grab test	200 minimum in any principal direction	120 minimum in any principal direction	180 minimum in any principal direction
Elongation at failure (percent) 1/	ASTMD4632 grab test	<50	<50	<50
Puncture (pounds) 1/	ASTMD4833	90 minimum	60 minimum	60 minimum
Ultraviolet light (% residual tensile strength) 150-hr exposure	ASTMD4355	70 minimum	70 minimum	70 minimum
Apparent opening size (AOS)	ASTMD4751	As specified, but no smaller than 0.212 mm(#70) 2/	As specified, but no smaller than 0.212 mm(#70) 2/	As specified, but no smaller than 0.212 mm(#70) 2/
Percent open area (percent)	CWO-02215-86	4.0 minimum	4.0 minimum	1.0 minimum
Permittivity sec -1/	ASTMD4491	0.10 minimum	0.10 minimum	0.10 minimum

1/ Minimum average roll value (weakest principal direction).  
 2/ U.S. standard sieve size.  
 Note: CWO is a USACE reference.

Property	Test Method	Class I	Class II	Class III	Class IV 3/
Tensile strength (lb) 1/	ASTMD 4632 grab test	180 minimum	120 minimum	90 minimum	115 minimum
Elongation at failure (%) 1/	ASTMD 4632	≥50	≥50	≥50	≥50
Puncture (pounds)	ASTMD 4833	80 minimum	60 minimum	40 minimum	40 minimum
Ultraviolet light (% residual tensile strength) 150-hr exposure	ASTMD 4355	70 minimum	70 minimum	70 minimum	70 minimum
Apparent opening size (AOS)	ASTMD4751	As specified max. #40 2/	As specified max. #40 2/	As specified max. #40 2/	As specified max. #40 2/
Permittivity sec -1/	ASTMD4491	0.70 minimum	0.70 minimum	0.70 minimum	0.10 minimum

1/ Minimum average roll value (weakest principal direction).  
 2/ U.S. standard sieve size.  
 3/ Heat-bonded or resin-bonded geotextile may be used for classes III and IV. They are particularly well suited to class IV. Needle-punched geotextiles are required for all other classes.



Larson Design Group  
3000 WESTINGHOUSE DRIVE  
SUITE 400  
CRANBERRY TWP, PA 16066  
(877) 323-6603


**Eric Stevens**  
685 WATERTON ROAD  
SHICKSHINNY, PA 18655

**STEVENS FARM PROJECT**  
685 WATERTON ROAD  
SHICKSHINNY, PA 18655  
**GENERAL NOTES**  
**GRAZING SYSTEM PLAN**

Date: 2024-10-04

Project No.: 13655-002

Sheet No.: G-002

NOT FOR CONSTRUCTION

P:\13655\13655-002\DWG\Fencing Site Plan\13655-002\_V-101\_Existing Conditions and Demolition Plan.dwg, STANDARD SHEET, 10/4/2024 8:02:57 AM, Bennett, Joel

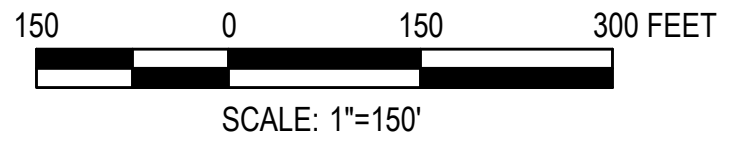
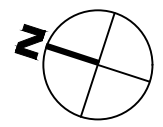
MAPPING BASED ON AERIAL IMAGERY. ACTUAL LOCATION OF EXISTING FEATURES TO BE DETERMINED IN FIELD.



Larson Design Group  
 3000 WESTINGHOUSE DRIVE  
 SUITE 400  
 CRANBERRY TWP, PA 16066  
 (877) 323-6603



**1 EXISTING CONDITIONS AND DEMOLITION PLAN**  
 SCALE: 1"=150'



**Typical Site Plan Keynotes**

- 1 REMOVE AND RELOCATE EXISTING MISCELLANEOUS FARM EQUIPMENT BY OWNER.
- 2 REMOVE AND RELOCATE EXISTING FENCE AND LIVESTOCK GATES BY CONTRACTOR.

**Legend**

- EXISTING
- DRAINAGE SWALE
- CONTOUR

MARK	DATE	COMMENTS
0	2024-10-04	CLIENT REVIEW SET

**Eric Stevens**  
 685 WATERTON ROAD  
 SHICKSHINNY, PA 18655

**STEVENS FARM PROJECT**  
 685 WATERTON ROAD  
 SHICKSHINNY, PA 18655

**EXISTING CONDITIONS AND DEMOLITION PLAN**  
**GRAZING SYSTEM PLAN**

Date: 2024-10-04  
 Project No.: 13655-002  
 Sheet No.: **V-101**

NOT FOR CONSTRUCTION

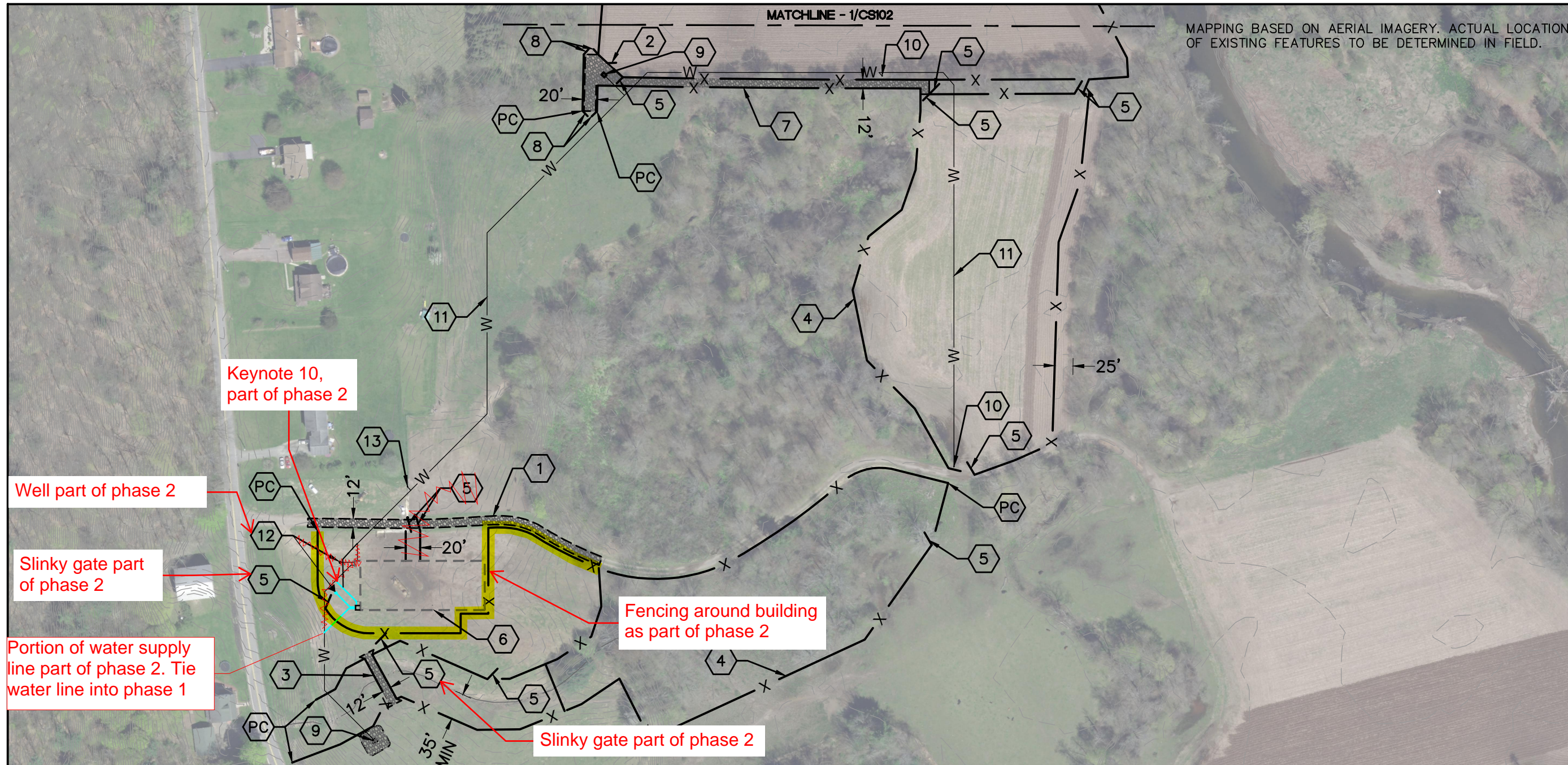
P:\136551\13655-002\DWG\Fencing Site Plan\13655-002\_CS101\_Fencing Site Plan.dwg, STANDARD SHEET, 10/4/2024 8:06:11 AM, Bennett, Joel

MATCHLINE - 1/CS102

MAPPING BASED ON AERIAL IMAGERY. ACTUAL LOCATION OF EXISTING FEATURES TO BE DETERMINED IN FIELD.



Larson Design Group  
3000 WESTINGHOUSE DRIVE  
SUITE 400  
CRANBERRY TWP, PA 16066  
(877) 323-6603



**1 FENCING SITE PLAN** SCALE: 1"=150'

150 0 150 300 FEET  
SCALE: 1"=150'

**Typical Site Plan Keynotes**

- |   |   |
|---|---|
| <ul style="list-style-type: none"> <li>1 EXISTING ACCESS ROAD TO BE RESURFACED FROM PROPOSED STRUCTURE TO WOODLINE WITH 4" OF TOPPER MATERIAL (2RC OR 2A) (1/C-501).</li> <li>2 PROVIDE 12' LIVESTOCK GATE.</li> <li>3 PROPOSED STABLE STREAM CROSSING (4/C-501).</li> <li>4 PROVIDE NEW HIGH TENSILE FENCING (1/C-502). A MINIMUM OF 3-STRAND ELECTRIFIED FENCE SHALL BE USED WITH A MINIMUM WOODEN POST WIDTH OF 4". FENCING ALONG DRAINAGE SWALE SHALL BE A MINIMUM 35' FROM THE SWALE EDGE.</li> <li>5 PROVIDE SLINKY GATE.</li> <li>6 FUTURE 60'X172' BUILDING.</li> <li>7 PROPOSED ANIMAL WALKWAY (2/C-501).</li> </ul> | <ul style="list-style-type: none"> <li>8 PROVIDE 10' DOUBLE SWNGING LIVESTOCK GATES.</li> <li>9 NEW 30 GALLON DOUBLE BALL FROST FREE PASTURE WATERER WITH CONCRETE PAD. OWNER TO DETERMINE MANUFACTURER OF WATERER. CONCRETE PAD TO BE SIZED ACCORDING TO MANUFACTURER RECOMMENDATIONS.</li> <li>10 PROPOSED FROST PROOF POST HYDRANT.</li> <li>11 1.5" PVC SCHEDULE 40 WATER SUPPLY LINE. MINIMUM BURY DEPTH OF 3.5' (3/C-501).</li> <li>12 PROVIDE DOMESTIC WATER WELL. WELL TO BE DRILLED AFTER CONSTRUCTION OF MANURE STORAGE AND HEAVY USE AREA.</li> <li>13 NEW CONNECTION TO EXISTING WATERER. OWNER TO BE RESPONSIBLE FOR DECOMMISSION AND REMOVAL OF EXISTING WATER LINE.</li> <li>PC POINT OF CONNECTION OF PROPOSED FENCE TO EXISTING FENCE. ACTUAL LOCATION TO BE DETERMINED IN FIELD.</li> </ul> |
|---|---|

**Legend**

PROPOSED

X FENCE (1/C-502)

REINFORCED CONCRETE

ACCESS PATH/ANIMAL WALKWAY

W WATER SUPPLY LINE

MARK	DATE	COMMENTS
0	2024-10-04	CLIENT REVIEW SET

**Eric Stevens**  
685 WATERTON ROAD  
SHICKSHINNY, PA 18655

**STEVENS FARM PROJECT**  
685 WATERTON ROAD  
SHICKSHINNY, PA 18655

**FENCING SITE PLAN**

**GRAZING SYSTEM PLAN**

Date: 2024-10-04

Project No.: 13655-002

Sheet No.: **CS101**

NOT FOR CONSTRUCTION

P:\13655\13655-002\DWG\Fencing Site Plan\13655-002\_CS102\_Fencing Site Plan.dwg, STANDARD SHEET, 10/4/2024 8:08:27 AM, Bennett, Joel

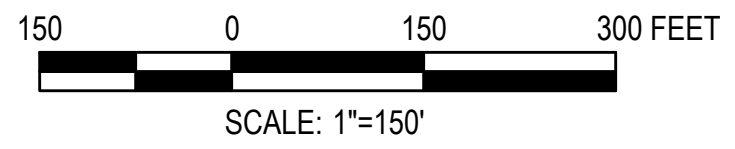
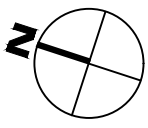
MAPPING BASED ON AERIAL IMAGERY. ACTUAL LOCATION OF EXISTING FEATURES TO BE DETERMINED IN FIELD.



Larson Design Group  
3000 WESTINGHOUSE DRIVE  
SUITE 400  
CRANBERRY TWP, PA 16066  
(877) 323-6603



**1 FENCING SITE PLAN**  
SCALE: 1"=150'



**Typical Site Plan Keynotes**

- 1** PROVIDE NEW HIGH TENSILE FENCING (1/C-502). A MINIMUM OF 3-STRAND ELECTRIFIED FENCE SHALL BE USED WITH A MINIMUM WOODEN POST WIDTH OF 4".
- 2** PROVIDE 10' DOUBLE SWINGING LIVESTOCK GATES.

**Legend**

- X — PROPOSED FENCE (1/C-502)

MARK	DATE	COMMENTS
0	2024-10-04	CLIENT REVIEW SET

**Eric Stevens**  
685 WATERTON ROAD  
SHICKSHINNY, PA 18655

**STEVENS FARM PROJECT**  
685 WATERTON ROAD  
SHICKSHINNY, PA 18655

**FENCING SITE PLAN**  
**GRAZING SYSTEM PLAN**

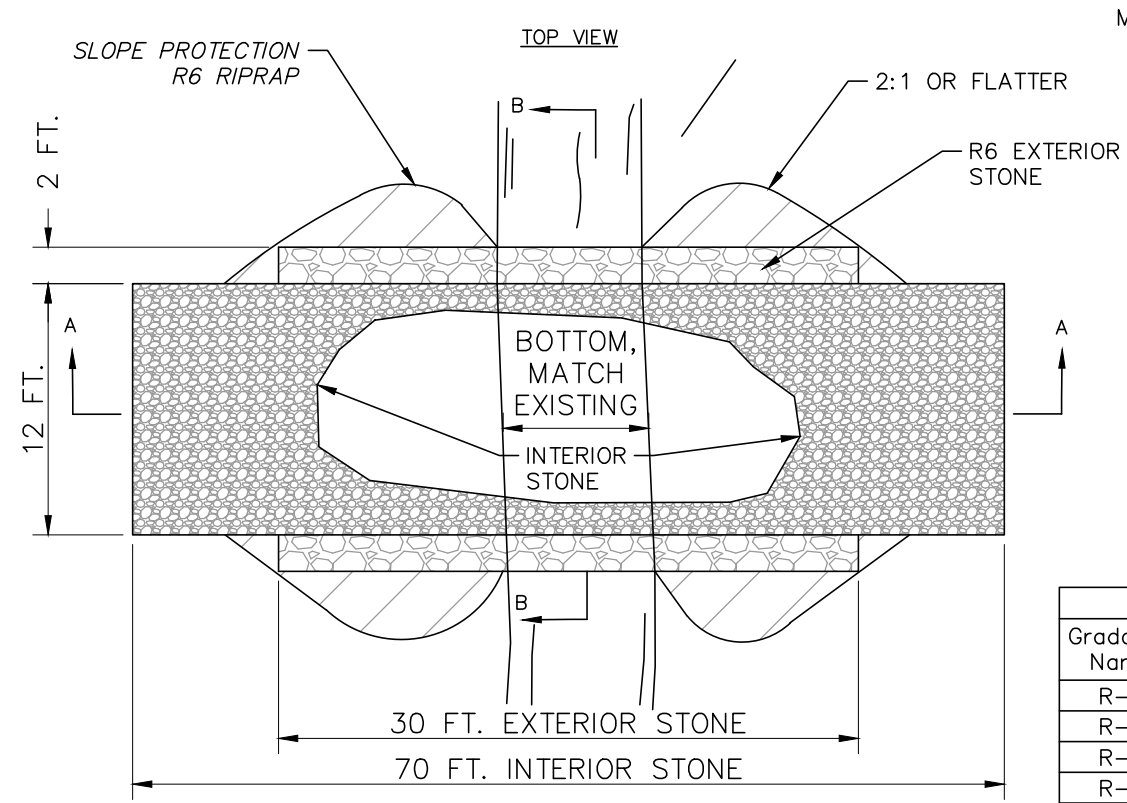
Date: 2024-10-04  
Project No.: 13655-002  
Sheet No.: **CS102**

NOT FOR CONSTRUCTION

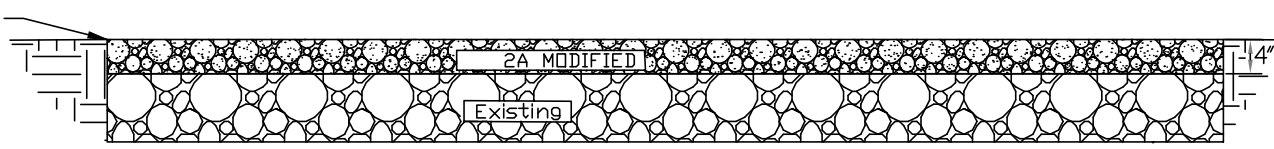
P:\13655\13655-002\DWG\Fencing Site Plan\13655-002\_C-501\_Site Details - Access Road\_Stream Crossing.dwg, STANDARD SHEET, 10/4/2024 8:16:48 AM, Bennett, Joel



Larson Design Group  
3000 WESTINGHOUSE DRIVE  
SUITE 400  
CRANBERRY TWP, PA 16066  
(877) 323-6603



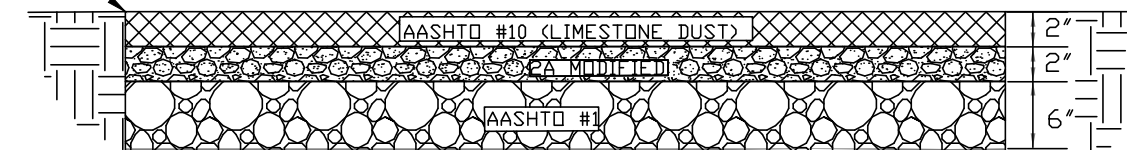
MATCH EXISTING GROUND



- Notes:
1. Stone depth shall be measured after compaction.
  2. All stone shall be compacted with a smooth drum, vibratory roller.

**1 ACCESS ROAD**  
SCALE: N.T.S

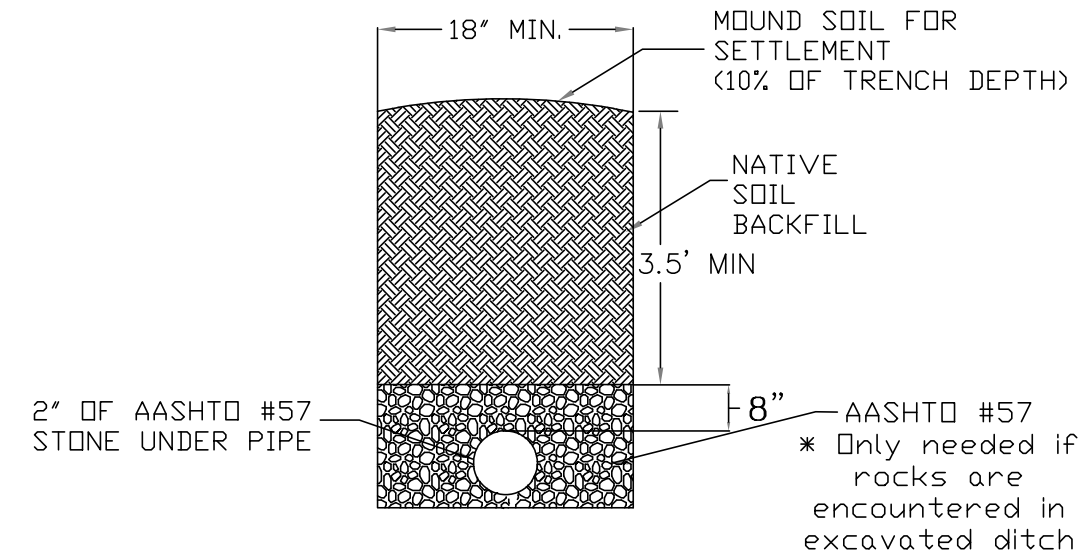
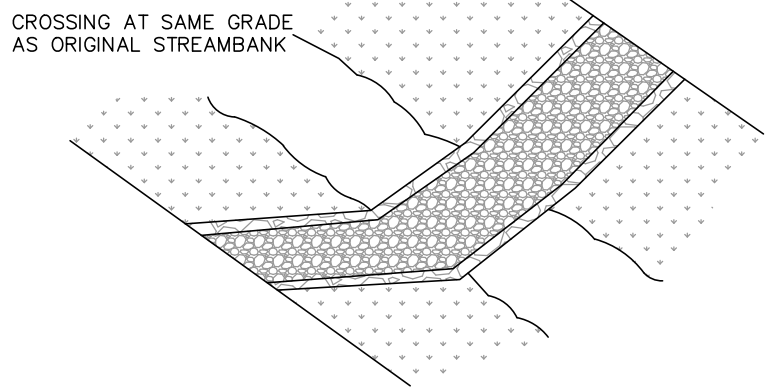
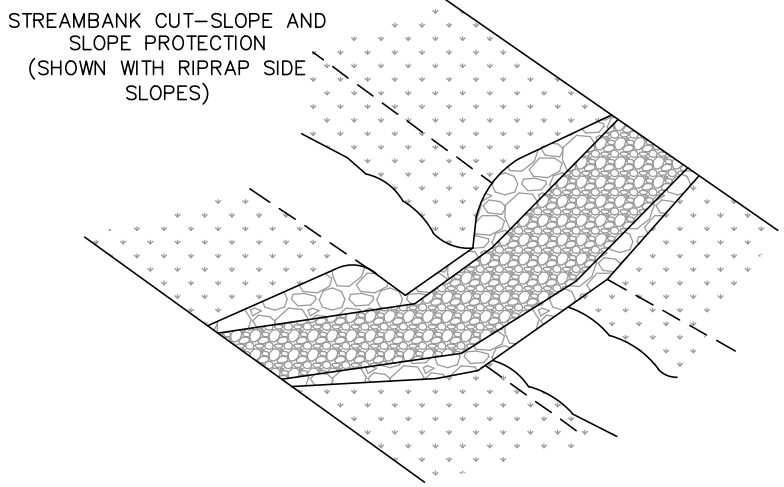
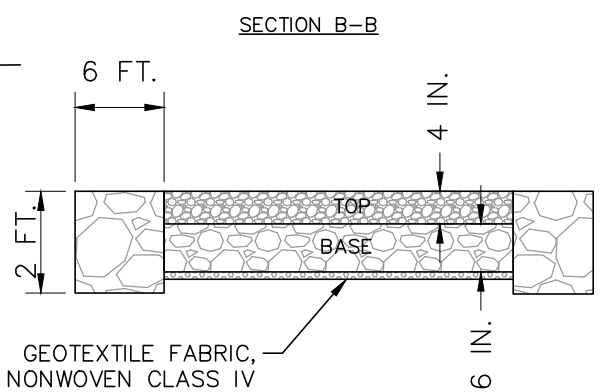
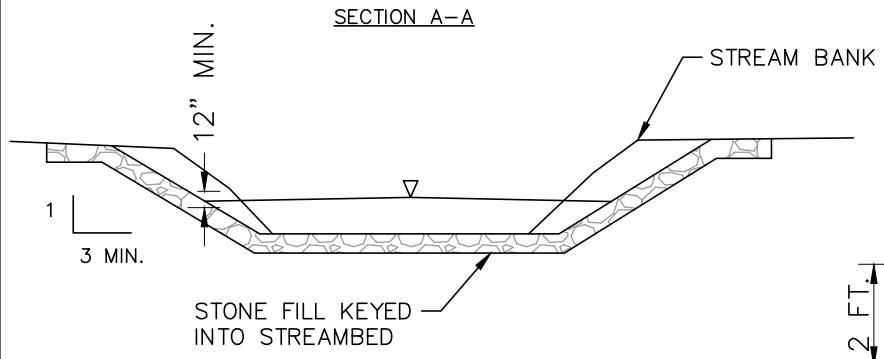
MATCH EXISTING GROUND



- Notes:
1. Geotextile shall be as per General Notes drawing. Non-woven Placement shall provide a one-foot (1') overlap between adjacent panels.
  2. Stone depth shall be measured after compaction.
  3. All stone shall be compacted with a smooth drum, vibratory roller.
  4. Surface may be crowned or pitched at 1% in the direction of the existing surface slope.

**2 ANIMAL WALKWAY**  
SCALE: N.T.S

RIPRAP GRADATIONS				
Gradation Name	Size - Inches (sq. opening)			
	D <sub>100</sub>	D <sub>85</sub>	D <sub>50</sub>	D <sub>15</sub>
R-3	6	5	3	2
R-4	12	10	6	3
R-5	18	15	9	5
R-6	24	20	12	7
R-7	30	26	15	12
R-8	48	30	24	15



**3 PIPE TRENCH**  
SCALE: N.T.S

- NOTES:
1. ALL SPOIL SHALL BE DEPOSITED OUTSIDE OF THE FLOODWAY AND WETLANDS.
  2. DEPTH OF STONE FILL ABOVE NATURAL STREAMBED SHALL NOT EXCEED 6-INCHES.
  3. AASHTO #1 STONE TO BE USED AS INTERIOR STONE. DEPTH OF STONE XXX FT.
  4. AASHTO #57 STONE TO BE USED TO FILL ANY SUBSEQUENT VOIDS ON INTERIOR STONE SURFACE.
  5. R6 RIPRAP STONE SHALL BE USED AS EXTERIOR FRAME STONE. DEPTH OF STONE 2 FT.
  6. STONE SHALL BE KEYED INTO THE STREAMBANK AND BED.
  7. HEAVY GEOTEXTILE SHALL BE INSTALLED UNDER THE STONE.
  8. INSTALL FENCING FOR LIVESTOCK EXCLUSION.

**4 RIPRAP STREAM CROSSING**  
SCALE: N.T.S

MARK	DATE	CLIENT REVIEW SET	COMMENTS
0	2024-10-04		

**Eric Stevens**  
685 WATERTON ROAD  
SHICKSHINNY, PA 18655

**STEVENS FARM PROJECT**  
685 WATERTON ROAD  
SHICKSHINNY, PA 18655

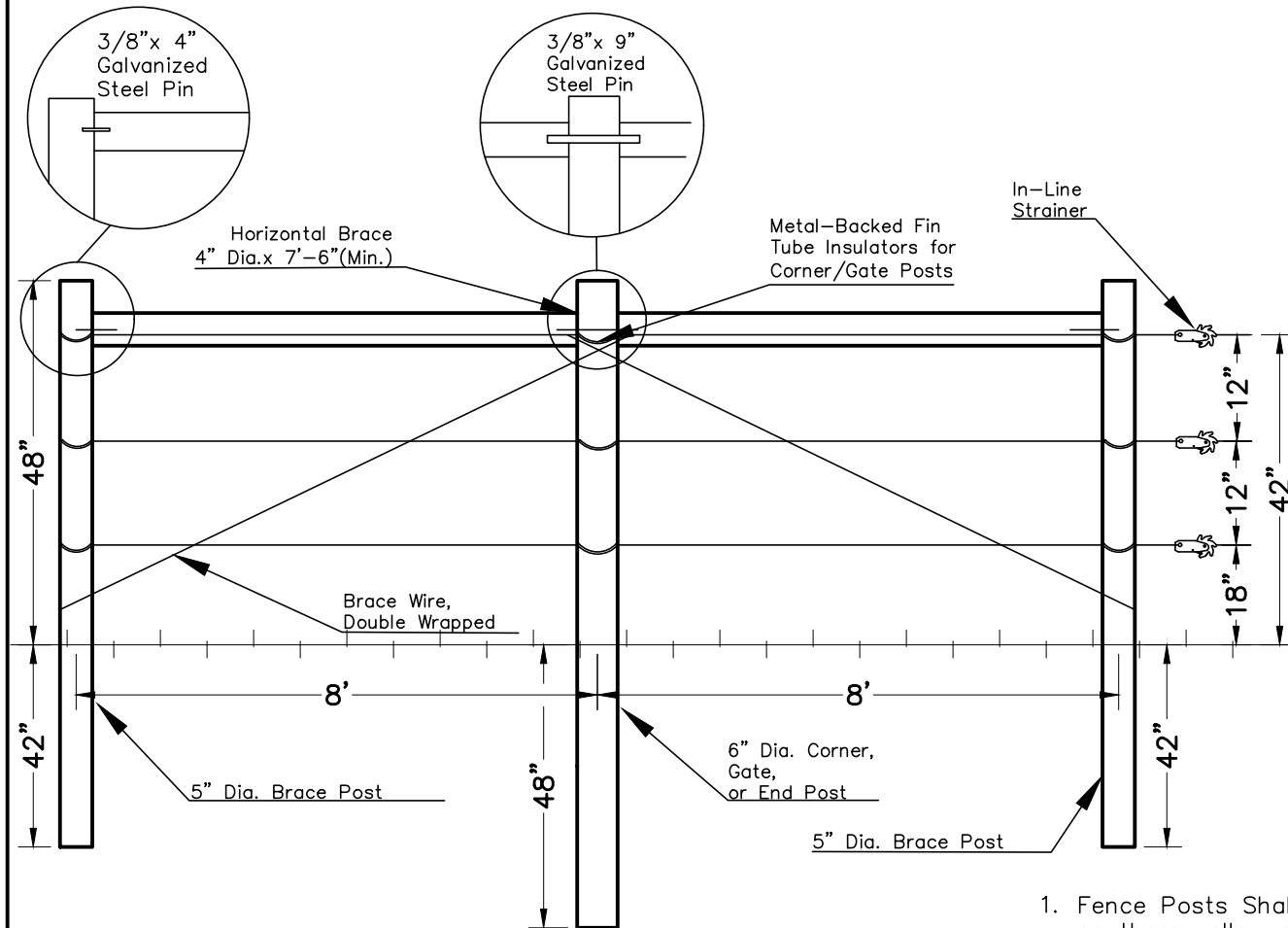
**SITE DETAILS**  
**GRAZING SYSTEM PLAN**

Date: 2024-10-04  
Project No.: 13655-002  
Sheet No.: **C-501**

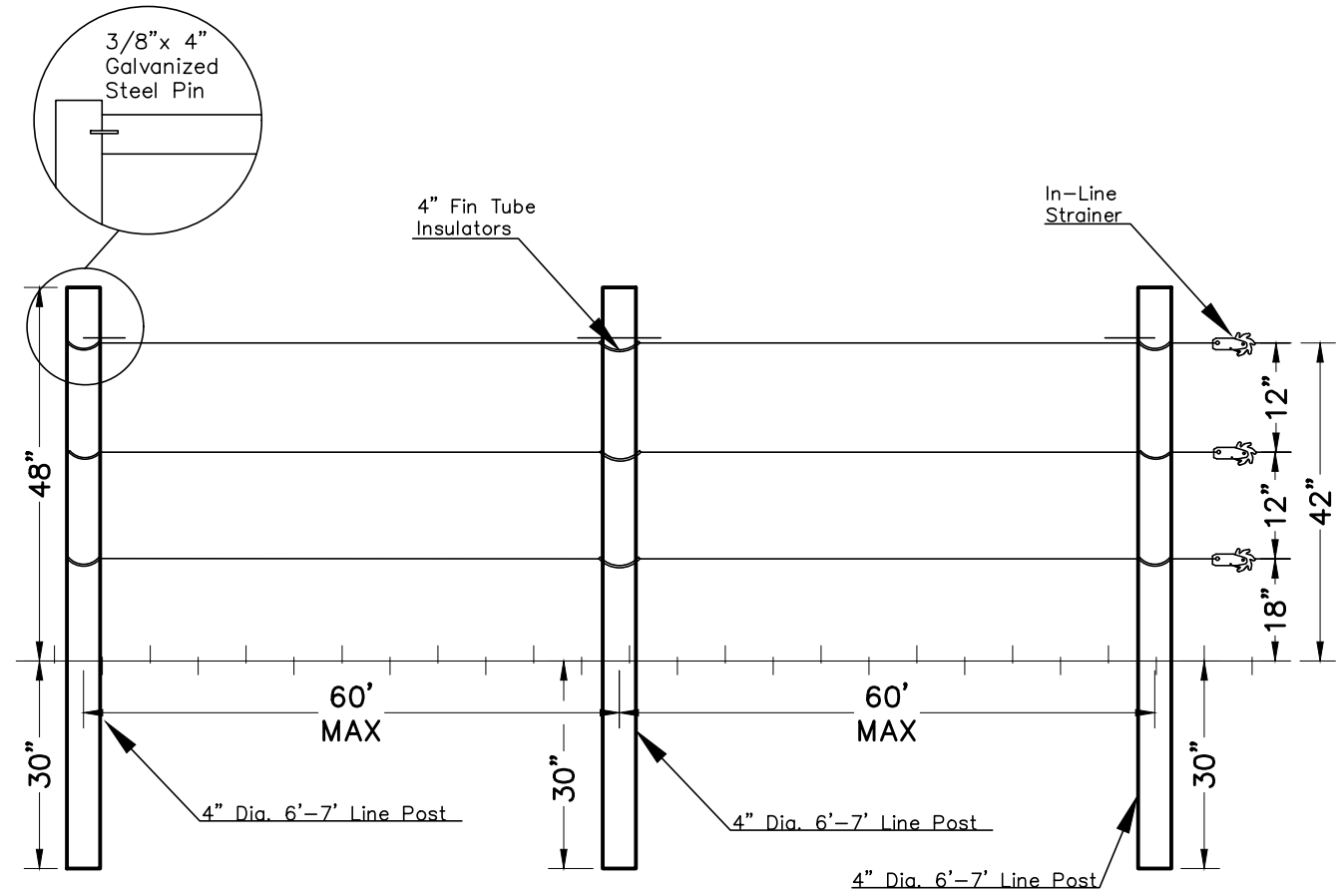
NOT FOR CONSTRUCTION

P:\13655\13655-002\DWG\Fencing Site Plan\13655-002\_C-502\_Site Details - Fence.dwg, STANDARD SHEET, 10/14/2024 8:03:43 AM, Bennett, Joel

**CORNER POST FENCE DETAIL**



**LINE POST FENCE DETAIL**



APPROXIMATE FENCE LENGTH 8,500 FEET  
 FENCE HEIGHT.....48 INCHES  
 NUMBER OF FENCE WIRES.....3 EACH  
 ARE BATTENS REQUIRED.....YES/NO  
 IS SPECIAL POST ANCHORING  
 REQUIRED.....YES/NO

1. Fence Posts Shall be pressure treated southern yellow pine, locust, or cedar

It Shall be the Contractor's Responsibility to Comply with PA ACT 287 (1974) As Ammended by ACT 199 (2004) Before Doing any Excavation Work or Driving any Fence Posts.

PA One Call completed  
 Ref#

**BILL OF MATERIALS**

ITEM	UNIT	DIA./SIZE	LENGTH	QUANTITY
CORNER, GATE, OR END POST	EACH	6" MIN.	8'-8 1/2'	58 est.
BRACE POSTS	EACH	5" MIN.	7 1/2'-8'	83 est.
LINE POSTS	EACH	4" MIN.	6 1/2' MIN.	140 est.
HORIZONTAL BRACE	EACH	4" MIN.	7 1/2'-8'	83 est.
TENSION SPRINGS	EACH	-	-	21 est.
GALV. HIGH-TENSILE WIRE	LIN. FT.	-	-	25,500 est.
ELECTRIC FENCE CHARGER	EACH	-	-	PER MANUFACTURER REQMTS.
GROUND RODS	EACH	-	3 1/2' MIN.	PER MANUFACTURER REQMTS.
LIGHTNING ARRESTORS	EACH	-	-	1 PER CHARGER CONNECTION
SLINKY GATES	EACH	-	-	12
LIVESTOCK GATES (12')	EACH	-	12'	1
LIVESTOCK GATES (10')	EACH	-	10'	8
ELECTRIC FENCE WARNING SIGNS	EACH	-	-	8 est.

		DIMENSIONS	INSTALLATION
POSTS	CORNER OR GATE POSTS	6" - 7" DIA. x 8' MIN. LENGTH	SET 4' DEEP
	LINE POSTS	4" DIA. x 6 1/2' MIN. LENGTH	SET 2 1/2' DEEP, SPACE 50' OR LESS
BRACING	BRACE POSTS	5"-6" DIA. x 7 1/2' - 8' LONG	SET 3 1/2' - 4' DEEP
	HORIZONTAL BRACE	4"-5" DIA. x 7 1/2' - 8' LONG	PLACE NEAR POST TOPS
	BRACE POST PINS	3/8" x 9" & 3/8" x 4" GALV. STEEL PINS	
	BRACE WIRE	12 1/2 GAUGE HIGH-TENSILE WIRE, CLASS 3 GALVANIZED	HORIZONTAL BRACE DOUBLE-WRAP, TIGHTEN WITH 1 1/2" x 2" x 2' HARDWOOD TWIST ROD
WIRE	TYPE:	12 1/2 GAUGE HIGH-TENSILE, CLASS 3, GALVANIZED, MINIMUM 200,000 PSI BREAKING STRENGTH	
	SPACING:	3 Strand	FROM GROUND TO BOTTOM WIRE 18" FROM BOTTOM WIRE TO SECOND WIRE 12" FROM SECOND WIRE TO THIRD WIRE 12"
	TENSION:	250 - 300 POUNDS EACH WIRE. TENSION WITH IN-LINE STRAINERS. INSTALL A TENSION INDICATOR SPRING ON AT LEAST ONE WIRE TO GAUGE WIRE TENSION.	
	FASTENING:	AT GATE, CORNER, AND END BRACES, USE APPROPRIATE KNOTS OR CRIMPING SLEEVES OR WIRE ANCHOR THROUGH POSTS. STAPLE WIRES TO POSTS WITH 1 3/4" 9 GAUGE GALVANIZED STAPLES WITH SLASH CUT POINTS. DO NOT DRIVE STAPLES TIGHT IN LINE POSTS. ANGLE STAPLES TO PREVENT POST SPLITS. DRIVE INTO POST AT DOWNWARD ANGLE ON KNOLLS AND AT AN UPWARD ANGLE IN DEPRESSIONS.	

**1 3 STRAND HIGH TENSILE ELECTRIC FENCE**  
 SCALE: N.T.S



Larson Design Group  
 3000 WESTINGHOUSE DRIVE  
 SUITE 400  
 CRANBERRY TWP, PA 16066  
 (877) 323-6603

MARK	DATE	COMMENTS
0	2024-10-04	CLIENT REVIEW SET

Eric Stevens  
 685 WATERTON ROAD  
 SHICKSHINNY, PA 18655

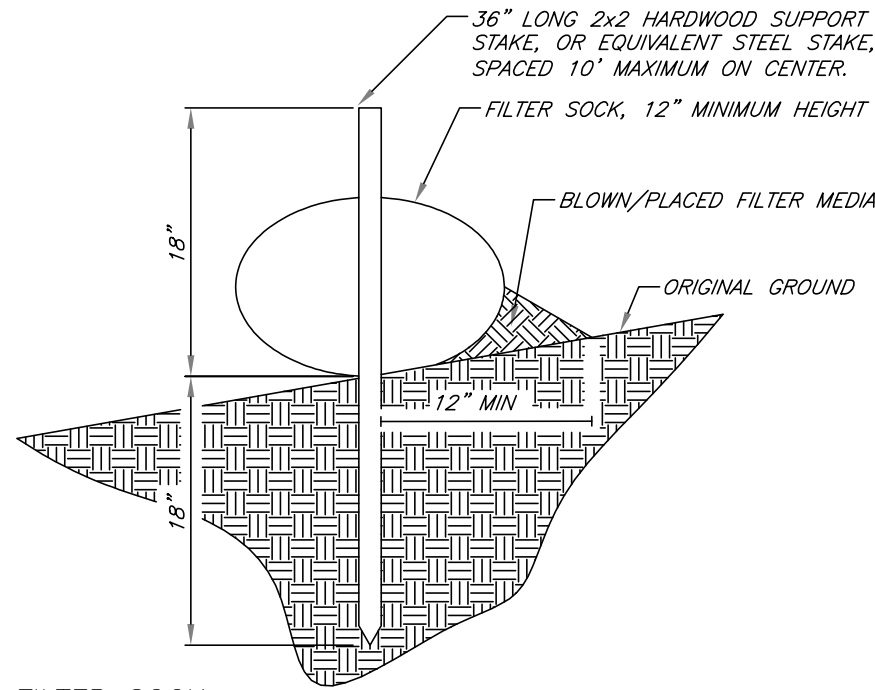
STEVENS FARM PROJECT  
 685 WATERTON ROAD  
 SHICKSHINNY, PA 18655

**SITE DETAILS**  
**GRAZING SYSTEM PLAN**

Date: 2024-10-04  
 Project No.: 13655-002  
 Sheet No.:

**C-502**

P:\13655\13655-002\DWG\Fencing Site Plan\13655-002\_C-503\_Site Details - Silt Sock.dwg, STANDARD SHEET, 10/4/2024 8:04:03 AM, Bennett, Joel



**FILTER SOCK**

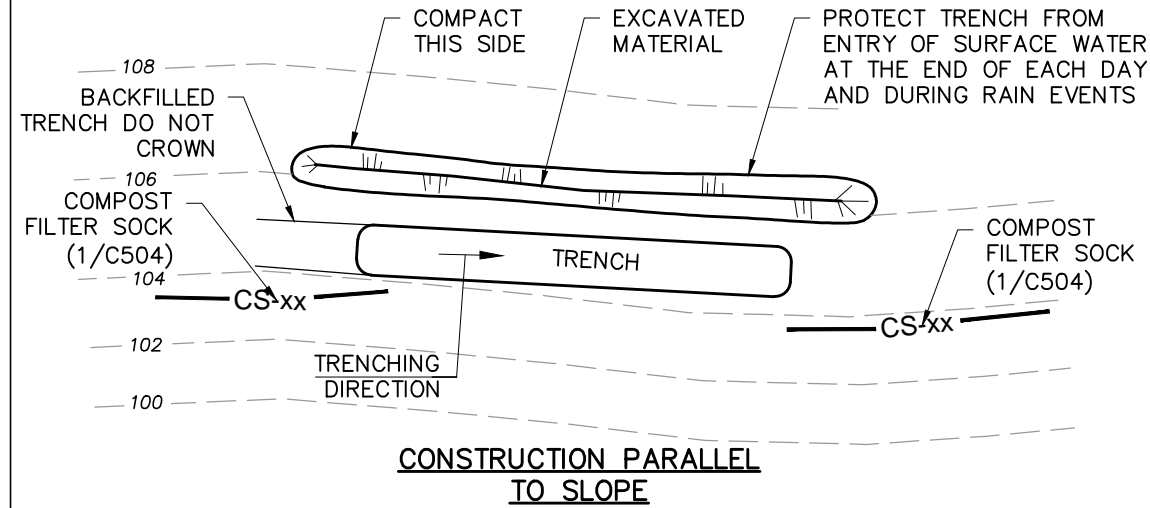
**NOTES:**

1. FILTER SOCK SHALL BE INSTALLED DOWN SLOPE OF THE DISTURBED AREAS OF THE CONSTRUCTION SITE.
2. TRAFFIC SHALL NOT BE PERMITTED TO CROSS FILTER SOCKS.
3. FILTER SOCK SHALL BE PLACED AT LEVEL EXISTING GRADE. BOTH ENDS OF THE SOCK SHALL BE EXTENDED AT LEAST 8' UP SLOPE AT 45 DEGREES TO THE MAIN FENCE ALIGNMENT.
4. STAKES MAY BE INSTALLED IMMEDIATELY DOWN SLOPE OF THE SOCK IF SO SPECIFIED BY THE MANUFACTURER.
5. ACCUMULATED SEDIMENT SHALL BE REMOVED WHEN IT REACHES HALF THE ABOVE GROUND HEIGHT OF THE SOCK.
6. SOCKS SHALL BE INSPECTED WEEKLY AND AFTER EACH RUNOFF EVENT. DAMAGED SOCKS SHALL BE REPAIRED ACCORDING TO THE MANUFACTURER'S SPECIFICATIONS OR REPLACED WITHIN 24 HOURS OF INSPECTION.
7. BIODEGRADABLE FILTER SOCKS SHALL BE REPLACED AFTER 6 MONTHS; PHOTODEGRADABLE SOCKS AFTER 1 YEAR. POLYPROPYLENE SOCKS SHALL BE REPLACED ACCORDING TO THE MANUFACTURER'S RECOMMENDATIONS.
8. UPON STABILIZATION OF THE AREA TRIBUTARY TO THE SOCK, STAKES SHALL BE REMOVED. THE SOCK MAY BE LEFT IN PLACE AND VEGETATED OR REMOVED. IN THE LATTER CASE, THE MESH SHALL BE CUT OPEN AND THE MULCH SPREAD AS A SOIL SUPPLEMENT.
9. ANY SECTION OF SILT FENCE WHICH HAS BEEN UNDERMINED OR TOPPED SHALL BE IMMEDIATELY REPLACED WITH A ROCK FILTER OUTLET.

**1 FILTER SOCK**  
SCALE: N.T.S

Seeding Preparation

1. When grading is finished, apply lime and fertilizer in accordance with soil test recommendations.
2. If soil test results are not available, apply 4 ton per acre of agricultural grade limestone and fertilize at the rate of 1,000 lbs. Of 10-20-20 or equivalent per acre.
3. Lime and one-half (1/2) the amount of the fertilizer shall be incorporated 4 to 6 inches into the soil.
4. Work area with chisel plow or similar type equipment, making sure lime and fertilizer are worked well into the soil.
5. Follow with the balance of fertilizer and seed.



**2 PLACEMENT OF EXCAVATED TRENCH MATERIAL**  
SCALE: N.T.S

Seeding Recommendation

6. The seed mixture shall be the following or similar if approved by the NRCS representative.

Nurse Crop (required with every permanent seed application):

Oats	64 lbs/acre PLS
Wheat	90 lbs/acre PLS
Annual Rye	40 lbs/acre PLS
Permanent Stabilization:	
Perennial Rye	40 lbs/acre PLS
	PLUS
Tall Fescue	80 lbs/acre PLS

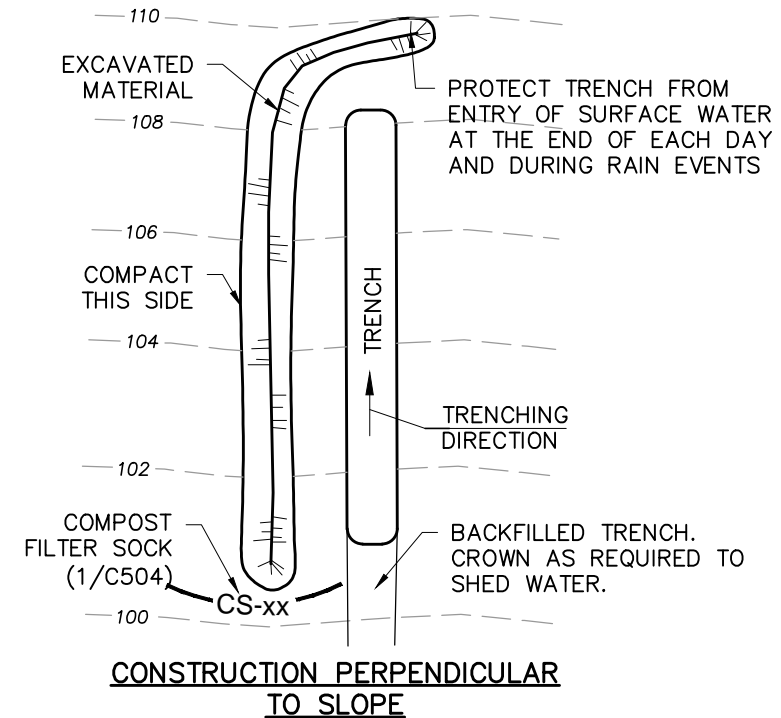
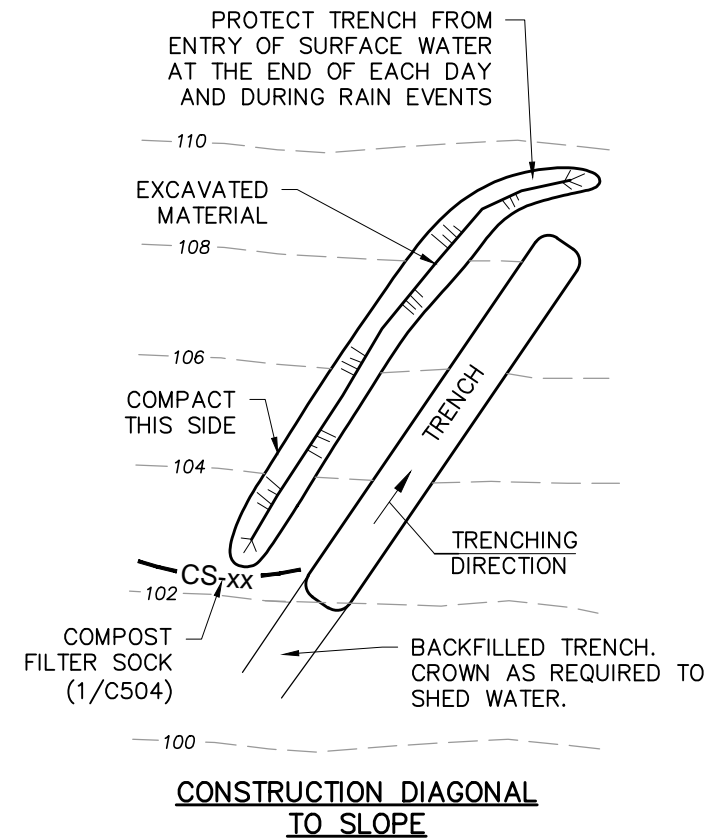
NOTE: This mixture is suitable for frequent mowing. Do not cut shorter than 4".

PLS means pure, live, seed. PLS is the product of the percentage of pure seed times percentage germination divided by 100. For example, to secure the actual planting rate for switchgrass, divide 12 lbs PLS by the PLS percentage shown on the seed tag. Thus, if the PLS content of a given seed lot is 35%, divide by .35 to obtain 34.4 lbs of seed, the amount of seed required to plant 1 acre.

If partial completion of any part of the project is accomplished, and this area will be disturbed again BUT not for a period of 20 days or more, those areas must be seeded with a TEMPORARY cover-seeding.

Temporary Seed and mulch will be applied at the following rates:

Annual Ryegrass	40 lbs/Acre
Winter Rye	3 Bu/Acre
Winter Wheat	3 Bu/Acre
Spring Oats	3 Bu/Acre



Planting Recommendation

- Seed can be applied with a drill or broadcast seeder. Band seeding is not permitted. If broadcast, harrow or disk lightly to cover seed. Roll with cultipacker or similar roller in same direction as seeding. (Double drilling gives better distribution of seeding and helps to spread the water while plants are small. Drill first lengthwise and then crosswise (in a zig-zag pattern). Optimum planting time is early spring or mid summer
7. As soon as seeding is finished, mulch with 3 Tons/Acre of hay or straw, making a layer 1 to 1.5 inches deep. Set disk straight and go over mulch to press straw into the soil. Tackifiers can also be used for anchoring mulch.



Larson Design Group  
3000 WESTINGHOUSE DRIVE  
SUITE 400  
CRANBERRY TWP, PA 16066  
(877) 323-6603

MARK	DATE	CLIENT REVIEW SET	COMMENTS
0	2024-10-04		

**Eric Stevens**  
685 WATERTON ROAD  
SHICKSHINNY, PA 18655

**STEVENS FARM PROJECT**  
685 WATERTON ROAD  
SHICKSHINNY, PA 18655

**SITE DETAILS**  
**GRAZING SYSTEM PLAN**

Date: 2024-10-04  
Project No.: 13655-002  
Sheet No.: **C-503**

NOT FOR CONSTRUCTION